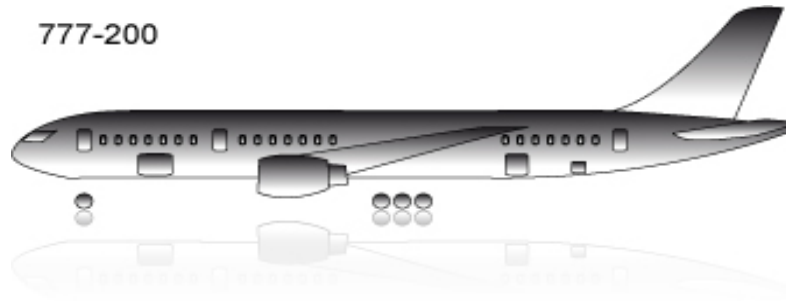


AIR CARGO



MAXIMUM CARGO CAPACITY (U.S. Standards)

	WEIGHT	VOLUMEN	DOOR OPENING	POSITIONS
FORWARD	67,500 lbs.	2,754 cu ft.	106 x 67 in.	18 LD - 3 or
		2,844 cu ft.		9 LD - 6 or
		2,277 cu ft.		9 LD - 11 or
		3,066 cu ft.		6 LD - 9/LD - 7 Pallet or
		3,294 cu ft.		6 LD - 36 Pallet or
		2,616 cu ft.	12 Type N Pallet	
AFT	49,000 lbs.	2,142 cu ft.	106 x 67 in.	14 LD - 3 or
		2,212 cu ft.		7 LD - 6 or
		1,771 cu ft.		7 LD - 11 or
		2,044 cu ft.		4 LD - 9/LD - 7 Pallet or
		2,196 cu ft.		4 LD - 36 Pallet or
		1,744 cu ft.	8 Type N Pallet	
BULK	9,000 lbs.	600 cu ft.	47 x 36 in.	-----

Maximum Weight Per Piece, Bulk compartment: 150 lbs.

Floor Bearing Weight, Bulk compartment: 150 lbs. per sq. ft.

Maximum container/pallet weight, including tare weight: LD - 3: 3,500 lbs. LD - 6: 7,000 lbs.

LD - 11: 7,000 lbs. LD - 7 Pallet: 10,200 lbs. LD - 36 Pallet: 10,200 lbs.

MAXIMUM CARGO CAPACITY (Metric Standards)

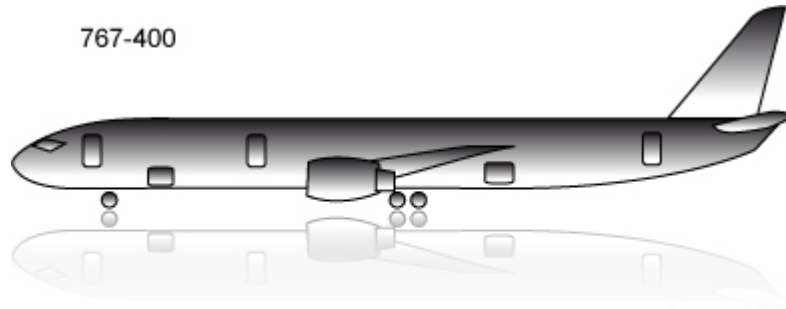
	WEIGHT	VOLUMEN	DOOR OPENING	POSITIONS
FORWARD	30,618 kgs	77,9 cu. m.	269 x 170 cm	18 LD - 3 or
		80,5 cu. m.		9 LD - 6 or
		64,4 cu. m.		9 LD - 11 or
		86,8 cu. m.		6 LD - 9/LD - 7 Pallet or
		93,2 cu. m.		6 LD - 36 Pallet or
		74,1 cu. m.	12 Type N Pallet	
AFT	22,226 kgs.	60,6 cu. m.	269 x 170 cm	14 LD - 3 or
		62,6 cu. m.		7 LD - 6 or
		50,1 cu. m.		7 LD - 11 or
		57,8 cu. m.		4 LD - 9/LD - 7 Pallet or
		62,1 cu. m.		4 LD - 36 Pallet or
		49,3 cu. m.	8 Type N Pallet	
BULK	4,082 kgs.	17.0 cu. m.	119 x 91 cm.	-----

Maximum Weight Per Piece, Bulk compartment: 68 kgs.

Floor Bearing Weight, Bulk compartment: .073 kgs. per sq. cm.

Maximum container weight including tare weights: LD - 3: 1,587 kgs. LD - 6: 3,175 kgs.

LD - 11: 3,175 kgs. LD - 7 Pallet: 4,626 kgs. LD - 36 Pallet: 4,626 kgs.



MAXIMUM CARGO CAPACITY (U.S. Standards)

	WEIGHT	VOLUMEN	DOOR OPENING	POSITIONS
FORWARD	56,260 lbs.	2,400 cu. ft. 2,530 cu. ft. 2,035 cu. ft. 2,220 cu. ft. 2,180 cu. ft.	134 x 67 in.	20 LD - 2 or 10 LD - 8 or 5 LD - 9/LD - 7 Pallet or 5 LD - 36 Pallet or 10 Type N Pallet
AFT	48,600 lbs.	2,160 cu. ft. 2,277 cu. ft. 1,962 cu. ft.	70 x 67 in.	18 LD - 2 or 9 LD - 8 or 9 Type N Pallet
BULK	5,200 lbs.	341 cu. ft.	45 x 38 in.	-----

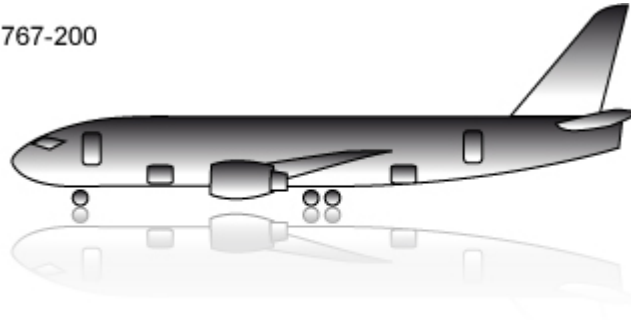
Maximum Weight Per Piece, Buld compartment: 150 lbs.
 Floor Bearing Weight, Bulk compartment: 150 lbs. per sq. ft.
 Maximum container weight, including tare weights: LD - 2: 2,700 lbs. LD - 8/type N: 5,400 lbs.
 LD - 7 Pallet: 10,200 lbs. LD - 36 Pallet: 10,200 lbs.

MAXIMUM CARGO CAPACITY (Metric Standards)

	WEIGHT	VOLUMEN	DOOR OPENING	POSITIONS
FORWARD	25,519 kgs	67,9 cu. m. 71,6 cu. m. 57,6 cu. m. 62,8 cu. m. 61.7 cu. m.	340 x 170 cm	20 LD - 2 or 10 LD - 8 or 5 LD - 9/LD - 7 Pallet or 5 LD - 36 Pallet or 10 Type N Pallet
AFT	22,045 kgs.	61,1 cu. m. 64,4 cu. m. 55,5 cu. m.	178 x 170 cm	18 LD - 2 or 9 LD - 8 or 9 Type N Pallet
BULK	2,358 kgs.	9.8 cu. m.	114 x 91 cm.	-----

Maximum Weight Per Piece, Bulk compartment: 68 kgs.
 Floor Bearing Weight, Bulk compartment: .073 kgs. per sq. cm.
 Maximum container weight including tare weights: LD - 2: 1,225 kgs. LD - 8/Type N: 2,449 kgs.
 LD - 7: 4,626 kgs. LD - 36 Pallet: 4,626 kgs.

767-200



MAXIMUM CARGO CAPACITY (U.S. Standards)

	WEIGHT	VOLUMEN	DOOR OPENING	POSITIONS
FORWARD	33,750 lbs.	1,400 cu. ft.	134 x 67 in.	12 LD - 2 or 6 LD - 8 or 3 LD - 9/LD - 7 Pallet or 3 LD - 36 Pallet or 6 Type N Pallet
		1,518 cu. ft.		
		1,221 cu. ft.		
		1,332 cu. ft.		
		1,308 cu. ft.		
AFT	27,000 lbs.	1,200 cu. ft.	70 x 67 in.	10 LD - 2 or 5 LD - 8 or 5 Type N Pallet
		1,265 cu. ft.		
		1,090 cu. ft.		
BULK	6,450 lbs.	430 cu. ft.	45 x 38 in.	-----

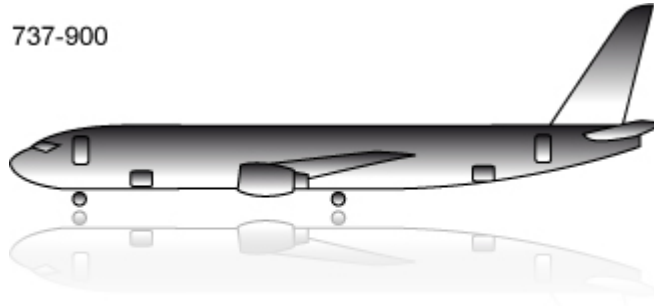
Maximum Weight Per Piece, Buld compartment: 150 lbs.
 Floor Bearing Weight, Bulk compartment: 150 lbs. per sq. ft.
 Maximum container weight, including tare weights: LD - 2: 2,700 lbs. LD - 8/type N: 5,400 lbs.
 LD - 7 Pallet: 10,200 lbs. LD - 36 Pallet: 10,200 lbs.

MAXIMUM CARGO CAPACITY (Metric Standards)

	WEIGHT	VOLUMEN	DOOR OPENING	POSITIONS
FORWARD	15,310 kgs	40,8 cu. m.	340 x 170 cm	12 LD - 2 or 6 LD - 8 3 LD - 9/LD - 7 Pallet or 3 LD - 36 Pallet or 6 Type N Pallet
		43,0 cu. m.		
		34,6 cu. m.		
		37,7 cu. m.		
		37,0 cu. m.		
AFT	12,250 kgs.	34,0 cu. m.	178 x 170 cm	10 LD - 2 or 5 LD - 8 or 5 Type N Pallet
		35,8 cu. m.		
		30,8 cu. m.		
BULK	2,930 kgs.	12,2 cu. m.	114 x 91 cm.	-----

Maximum Weight Per Piece, Bulk compartment: 68 kgs.
 Floor Bearing Weight, Bulk compartment: .073 kgs. per sq. cm.
 Maximum container weight including tare weights: LD - 2: 1,225 kgs. LD - 8/Type N: 2,449 kgs.
 LD - 7: 4,626 kgs. LD - 36 Pallet: 4,626 kgs.

737-900



MAXIMUM CARGO CAPACITY (U.S. Standards)

	WEIGHT	VOLUMEN	DOOR OPENING
FORWARD	7,995 lbs.	830 cu. ft.	48 x 34 in.
AFT	12,080 lbs.	996 cu. ft.	48 x 34 in.

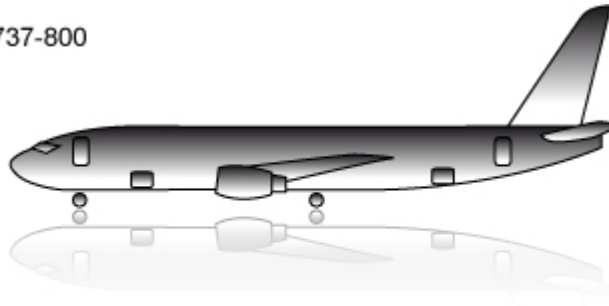
Maximum Weight Per Piece: 450 lbs.
Floor Bearing Weight: 150 lbs. per sq. ft.

MAXIMUM CARGO CAPACITY (Metric Standards)

	WEIGHT	VOLUMEN	DOOR OPENING
FORWARD	3,627 kgs	23,5 cu. m.	121 x 86 cm.
AFT	5,479 kgs.	28,2 cu. m.	121 x 86 cm.

Maximum Weight Per Piece: 204 kgs.
Floor Bearing Weight: .073 kgs. per sq. cm.

737-800



MAXIMUM CARGO CAPACITY (U.S. Standards)

	WEIGHT	VOLUMEN	DOOR OPENING
FORWARD	7,846 lbs.	672 cu. ft.	48 x 34 in.
AFT	10,694 lbs.	883 cu. ft.	48 x 34 in.

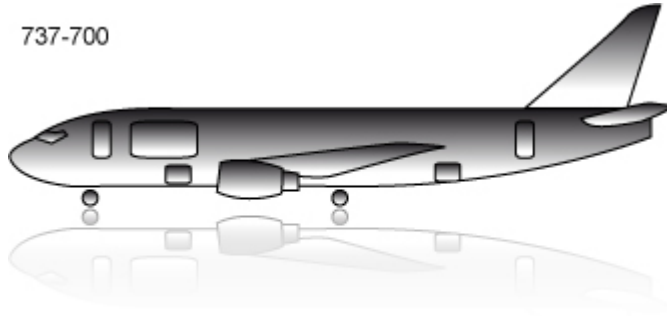
Maximum Weight Per Piece: 450 lbs.
Floor Bearing Weight: 150 lbs. per sq. ft.

MAXIMUM CARGO CAPACITY (Metric Standards)

	WEIGHT	VOLUMEN	DOOR OPENING
FORWARD	3,559 kgs	19,0 cu. m.	121 x 86 cm.
AFT	4,851 kgs.	25,0 cu. m.	121 x 86 cm.

Maximum Weight Per Piece: 204 kgs.
Floor Bearing Weight: .073 kgs. per sq. cm.

737-700



MAXIMUM CARGO CAPACITY (U.S. Standards)

	WEIGHT	VOLUMEN	DOOR OPENING
FORWARD	4,424 lbs.	386 cu. ft.	48 x 34 in.
AFT	6,998 lbs.	580 cu. ft.	48 x 34 in.

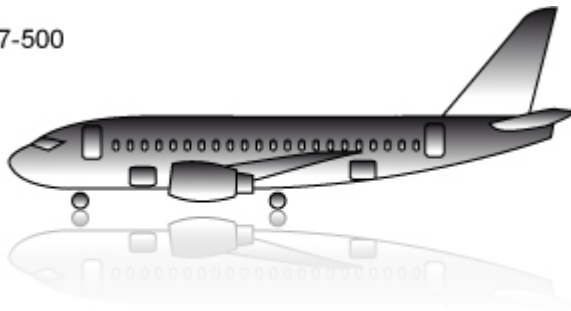
Maximum Weight Per Piece: 450 lbs.
Floor Bearing Weight: 150 lbs. per sq. ft.

MAXIMUM CARGO CAPACITY (Metric Standards)

	WEIGHT	VOLUMEN	DOOR OPENING
FORWARD	2,006 kgs	10,9 cu. m.	121 x 86 cm.
AFT	3,174 kgs.	16,4 cu. m.	121 x 86 cm.

Maximum Weight Per Piece: 204 kgs.
Floor Bearing Weight: .073 kgs. per sq. cm.

737-500



MAXIMUM CARGO CAPACITY (U.S. Standards)

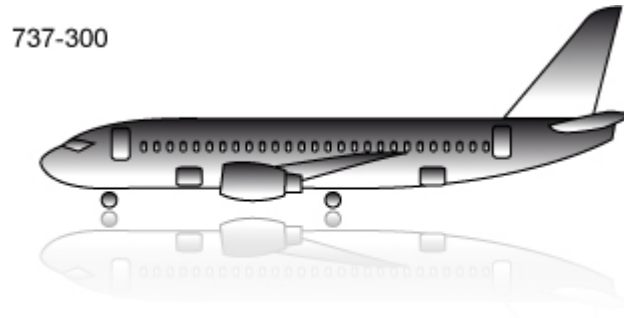
	WEIGHT	VOLUMEN	DOOR OPENING
FORWARD	3,324 lbs.*	287 cu. ft.	45 x 34 in.
AFT	6,368 lbs.	535 cu. ft.	45 x 34 in.

Maximum Weight Per Piece: 450 lbs.
Floor Bearing Weight: 150 lbs. per sq. ft.

MAXIMUM CARGO CAPACITY (Metric Standards)

	WEIGHT	VOLUMEN	DOOR OPENING
FORWARD	1,507 kgs	7,8 cu. m.	114 x 86 cm.
AFT	2,888 kgs.	15,1 cu. m.	114 x 86 cm.

Maximum Weight Per Piece: 204 kgs.
Floor Bearing Weight: .073 kgs. per sq. cm.



MAXIMUM CARGO CAPACITY (U.S. Standards)

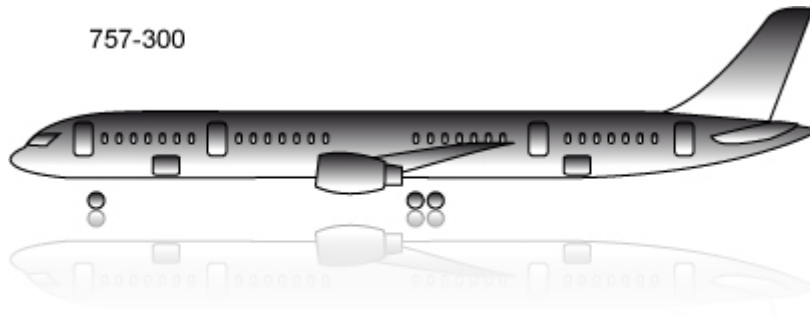
	WEIGHT	VOLUMEN	DOOR OPENING
FORWARD	5,002 lbs.	425 cu. ft.	45 x 34 in.
AFT	7,648 lbs.	643 cu. ft.	45 x 34 in.
AFT*	5,182 lbs.	507 cu. ft.	45 x 34 in.

**Some 737-300's have auxiliary fuel tanks in aft compartments which limit cargo capacity.*
Maximum Weight Per Piece: 450 lbs.
Floor Bearing Weight: 150 lbs. per sq. ft.

MAXIMUM CARGO CAPACITY (Metric Standards)

	WEIGHT	VOLUMEN	DOOR OPENING
FORWARD	2,269 kgs	12,0 cu. m.	114 x 86 cm.
AFT	3,469 kgs.	18,2 cu. m.	114 x 86 cm.
AFT*	2,350 kgs.	14,4 cu. m.	114 x 86 cm.

Maximum Weight Per Piece: 204 kgs.
Floor Bearing Weight: .073 kgs. per sq. cm.



MAXIMUM CARGO CAPACITY (U.S. Standards)

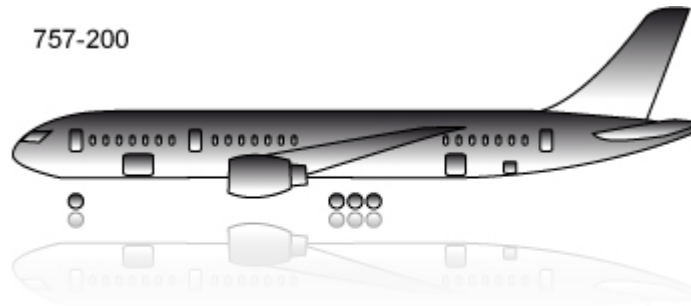
	WEIGHT	VOLUMEN	DOOR OPENING
FORWARD	16,100 lbs.	1,001 cu. ft.	55 x 42 in.
AFT	19,500 lbs.	1,263 cu. ft.	55 x 43 in.

Maximum Weight Per Piece: 350 lbs.
 Floor Bearing Weight: 150 lbs. per sq. ft.

MAXIMUM CARGO CAPACITY (Metric Standards)

	WEIGHT	VOLUMEN	DOOR OPENING
FORWARD	7,303 kgs	28,3 cu. m.	139 x 106 cm.
AFT	8,845 kgs.	35,7 cu. m.	139 x 109 cm.

Maximum Weight Per Piece: 158 kgs.
 Floor Bearing Weight: .073 kgs. per sq. cm.



MAXIMUM CARGO CAPACITY (U.S. Standards)

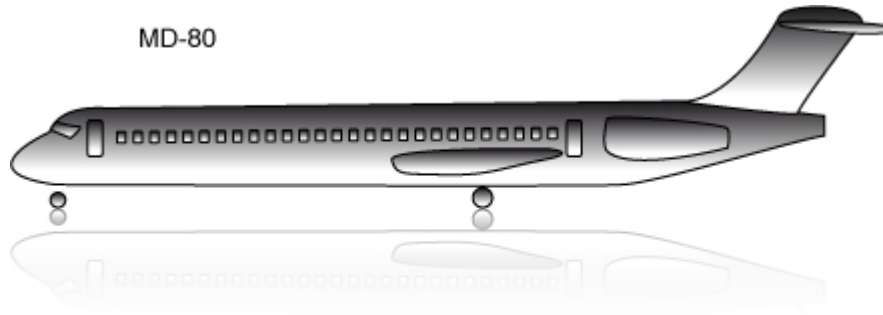
	WEIGHT	VOLUMEN	DOOR OPENING
FORWARD	10,300 lbs.	699 cu. ft.	55 x 40 in.
AFT	16,300 lbs.	1,095 cu. ft.	55 x 42 in.

Maximum Weight Per Piece: 350 lbs.
 Floor Bearing Weight: 150 lbs. per sq. ft.

MAXIMUM CARGO CAPACITY (Metric Standards)

	WEIGHT	VOLUMEN	DOOR OPENING
FORWARD	4,672 kgs	19,8 cu. m.	139 x 101 cm.
AFT	7,393 kgs.	31,0 cu. m.	139 x 106 cm.

Maximum Weight Per Piece: 158 kgs.
Floor Bearing Weight: .073 kgs. per sq. cm.



MAXIMUM CARGO CAPACITY (U.S. Standards)

	WEIGHT	VOLUMEN	DOOR OPENING
FORWARD	6,960 lbs.*	464 cu. ft.	52 x 29 in.
MID	6,920 lbs.*	346 cu. ft.	52 x 29 in.
AFT	6,645 lbs.	443 cu. ft.	52 x 29 in.

*The combined load of the forward and mid compartments cannot exceed 12,150 lbs.
Maximum Weight Per Piece: 450 lbs.
Floor Bearing Weight: 150 lbs. per sq. ft.

MAXIMUM CARGO CAPACITY (Metric Standards)

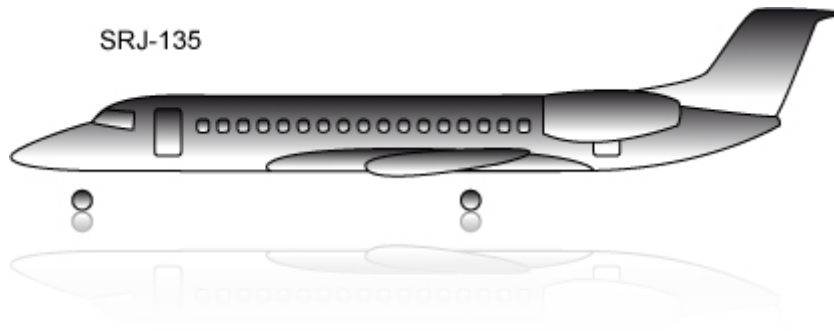
	WEIGHT	VOLUMEN	DOOR OPENING
FORWARD	3,157 kgs *	13,1 cu. m.	132 x 73 cm.
MID	3,138 kgs *	9,8 cu. m.	132 x 73 cm.
AFT	3,014 kgs.	12,5 cu. m.	132 x 73 cm.

*The combined load of the forward and mid compartments cannot exceed 5,511 kgs.
Maximum Weight Per Piece: 204 kgs.
Floor Bearing Weight: .073 kgs. per sq. cm.



MAXIMUM CARGO CAPACITY (U.S. Standards)

	WEIGHT	VOLUMEN	DOOR OPENING
AFT	2,646 lbs.	325 cu. ft.	39 x 44 in.
	1,200 kgs	9,21 cu. m.	99 x 111 cm.



MAXIMUM CARGO CAPACITY (U.S. Standards)

	WEIGHT	VOLUMEN	DOOR OPENING
AFT	2,205 lbs.	325 cu. ft.	39 x 44 in.
	1,000 kgs	9,21 cu. m.	99 x 111 cm.